

## Type THA

## Time-Lag Glass Tube Fuses Series



### Description

12.5A to 30A, 125V/250V are UL recognized component accepted  
Testing Standard UL 248-1/UL 248-14

### Operating Temperature

-55°C ~ +125°C

### Soldering Method

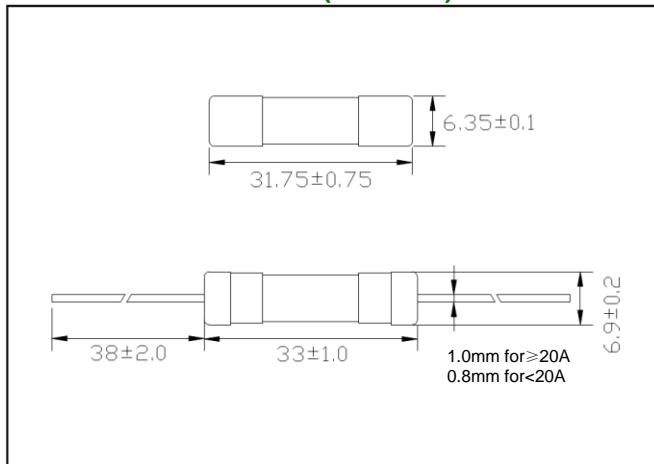
Wave soldering: 260°C, 10s max.

Manual soldering: 350°C, 5s max.

### Packaging Option

Standard pack of 200pcs per box and 100pcs for Axial Lead

### Mechanical Dimensions (Unit: mm)



### Ordering Information

FUSE TYPE	THA	2200	2	01
THA				
AMPERE RATING		20A (10 <sup>2</sup> x200mA)		
VOLTAGE RATING		1:125V 2:250V		
COMPLEMENT				00:Standard 01:Axial Lead

### Agency Approvals.

Safety Agency	Agency File Number	Ampere Range Volt@I.R.ABILITY
cURus	E485357	12.5A~30A 200A@250V AC 12.5A~30A 1000A@125V AC

### Electrical Characteristics for Series

% of Ampere Rating	Opening Time
100%	4 hour Min
135%	1 hour Max
200%	120 sec Max

### Electrical Characteristic Specifications by Item

Catalog Number	Ampere Rating(A)	Voltage Rating(V)	Breaking Capacity	Nominal Melting I <sup>2</sup> t(A <sup>2</sup> sec.)	Approvals
					cURus
THA2125	12.5A	125V AC 250V AC	200A@250V AC 1000A@125V AC	790	●
THA2130	13A			850	●
THA2150	15A			930	●
THA2160	16A			1050	●
THA2200	20A			1200	●
THA2250	25A			1650	●
THA2300	30A			1985	●

### Packaging

Packaging Option	Packaging Specification	Quantity
Standard	N / A	200
Axial Lead	N / A	100